

UB-6200 series

UB - 6235



Next generation standards of personal hygiene

to separate vaske dyser



kullsyreaktig fin vasking



ultra sonic sveiset vannrett sete



intelligent bruker sensor i setet



IIP



kids



one touch detachable

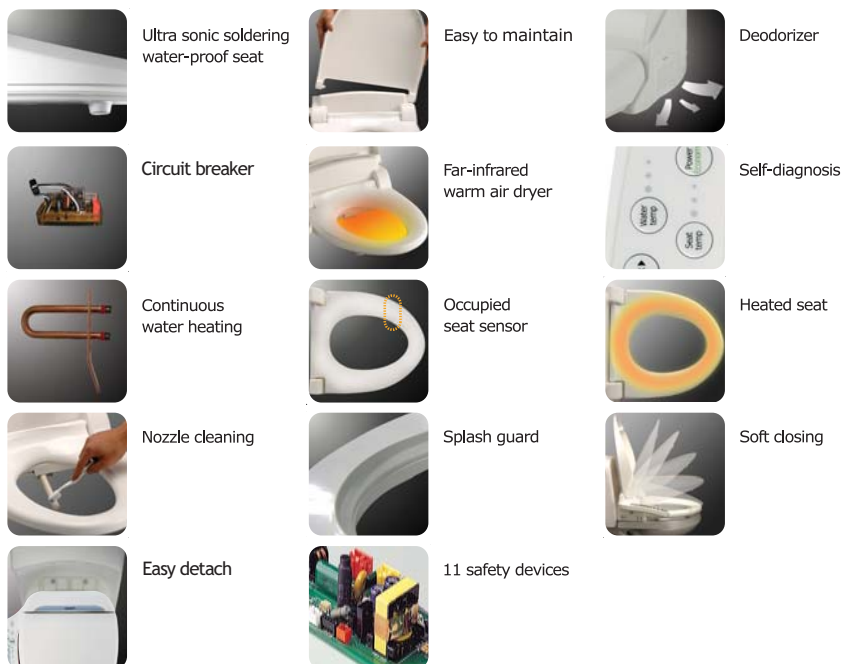


Uspa

Functions

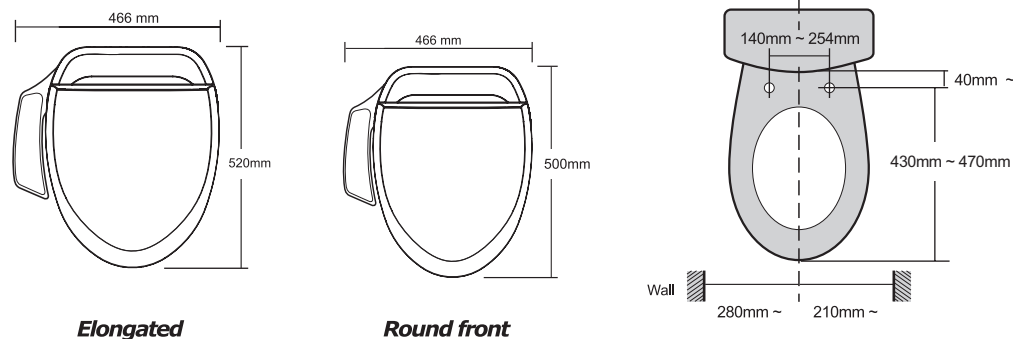


Features



Dimension

* Uspa UB-6200 series may not fit certain toilet bowl designs. Please refer to the dealer sizing and installation chart.



Specifications

UB-6235 Elongated Model UB-6235S Round front model

Power rating	230V, 50Hz, 899W
Power cord	1.8m (230V)
Cleansing features	Posterior wash : 900 + 100 ml / min Feminine wash : 900 + 100 ml / min Tank capacity : 800 ml Water temperature : Room temp - 40 C Heater capacity : 600W (120V) / 836W (230V) Safety features : Thermal cut-off, Thermostat(bi-metal), Floating switch
Dry features	Air temperature : Room temp - 140F (60 C) Heater capacity : 250W (120V, 230V) Safety feature : Bi-metal, Thermal cut-off
Heated seat features	Seat temperature : Room temp - 104F (40 C) Heater capacity : 55W (120V) / 57W (230V) Safety feature : Thermal cut-off Catalytic filter
Air purity features (UB-6035R only)	
Remote control	Infrared remote control
Water supply pressure	10psi - 106psi (0.08mPa - 0.74mPa)
Circuit breaker	Within 15mA - 0.1 second
Net weight	9.7lb (4.4kg)

* Specifications can be changed without notice.

* Recommended water supply pressure is between 14psi - 100psi (0.09mPa - 0.68mPa).



manufactured by
SAMHONGTECH CO., LTD.

1488-7, WOOJUNG TOWN 9F, KWANYANG-DONG
DONGAN-KU, ANYANG-CITY, GYEONGGI-DO
REP OF KOREA 431-060
Tel : +82-31-420-2341~5 Fax : +82-31-426-8666
<http://www.samhongtech.co.kr>

distributed by
Sanitær Norge AS

Breiløkkevegen 45
NO-6409 Molde
Norway
<http://www.saniternorge.no>